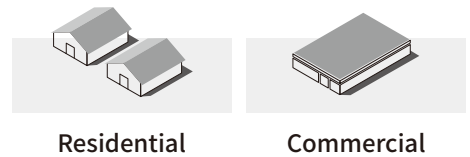


# YTM410-430N-54/B

Adopting N-type TOPCon technology on M10 wafer, achieves high efficiency and ultra-low degradation, and perfectly matches mainstream system design and mature logistics scheme.

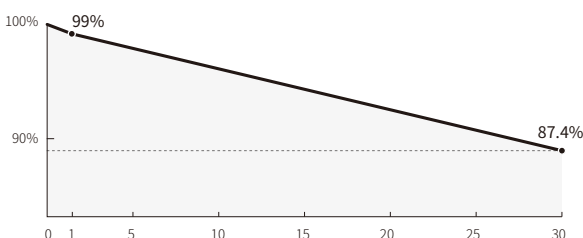
Advanced module technologies are adopted like multi-busbar, half cell, non-destructive cutting, and intelligent soldering.

All-black module perfectly combines with the building.



## Warranty

Product warranty 25 Years      1<sup>st</sup> year degradation  $\leq 1\%$   
Linear power warranty 30 Years      Annual degradation  $\leq 0.40\%$

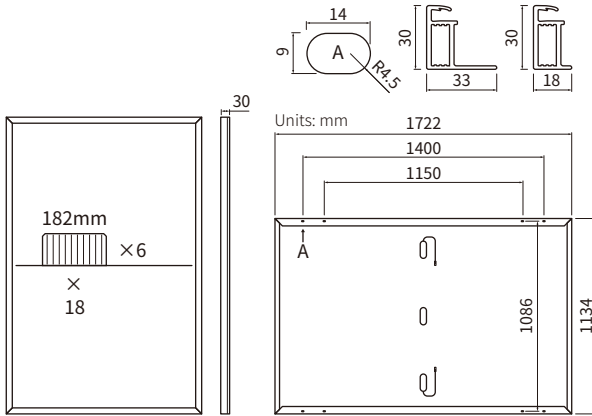


## Certificates

IEC 61215, IEC 61730  
ISO 9001:2015 Quality management systems  
ISO 14001:2015 Environmental management systems  
ISO 45001:2018 Occupational health and safety management systems



# YTM410-430N-54/B



## Mechanical Parameters

Cell type	Mono TOPCon
No. of cells	108 (6*18)
Junction box	IP68, 3 diodes
Cable	4mm <sup>2</sup> ; (±)1200mm or customized
Glass	Single glass, 3.2mm
Frame	Anodized aluminum alloy frame
Weight	21.4kg±3%
Dimensions	1722mm x 1134mm x 30mm
Packaging	36 pcs/pallet, 936 pcs/40HQ container

## Electrical Parameters

STC: AM1.5 1000W/m<sup>2</sup> 25°C    NMOT: AM1.5 800W/m<sup>2</sup> 20°C 1m/s

Module type	YTM410N-54/B		YTM415N-54/B		YTM420N-54/B		YTM425N-54/B		YTM430N-54/B	
	STC	NMOT	STC	NMOT	STC	NMOT	STC	NMOT	STC	NMOT
Rated maximum power P <sub>max</sub> (W)	410	308	415	312	420	316	425	320	430	324
Open circuit voltage V <sub>oc</sub> (V)	37.80	35.85	38.00	36.04	38.19	36.22	38.38	36.40	38.57	36.58
Short circuit current I <sub>sc</sub> (A)	13.88	11.24	13.96	11.30	14.04	11.38	14.12	11.44	14.20	11.51
Maximum power voltage V <sub>mp</sub> (V)	31.16	29.01	31.37	29.19	31.56	29.35	31.74	29.53	31.93	29.67
Maximum power current I <sub>mp</sub> (A)	13.16	10.62	13.23	10.69	13.31	10.77	13.39	10.84	13.47	10.92
Module efficiency (%)	21.0		21.3		21.5		21.8		22.0	

## Temperature Coefficients

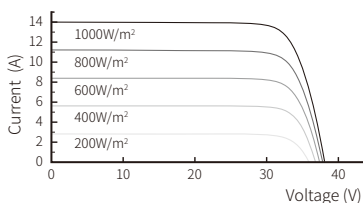
Temperature coefficient $\alpha_{Isc}$	+0.046%/°C
Temperature coefficient $\beta_{Voc}$	-0.250%/°C
Temperature coefficient $\gamma_{Pmax}$	-0.300%/°C

## Operating Conditions

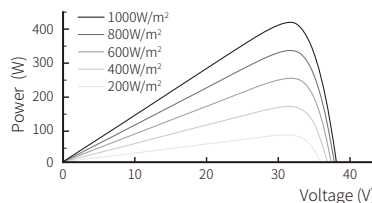
Operating temperature	-40°C~+70°C	Nominal operating cell temperature	45±2°C
P <sub>max</sub> , V <sub>oc</sub> , I <sub>sc</sub> tolerance	±3%	Front side Max. static test loading	5400 Pa
Power selection	0~5W	Rear side Max. static test loading	2400 Pa
Maximum system voltage	1500V DC		
Maximum series fuse rating	25A		

## Graphs (YTM420N-54/B)

Current - Voltage Curve



Power - Voltage Curve



Current - Voltage Curve

