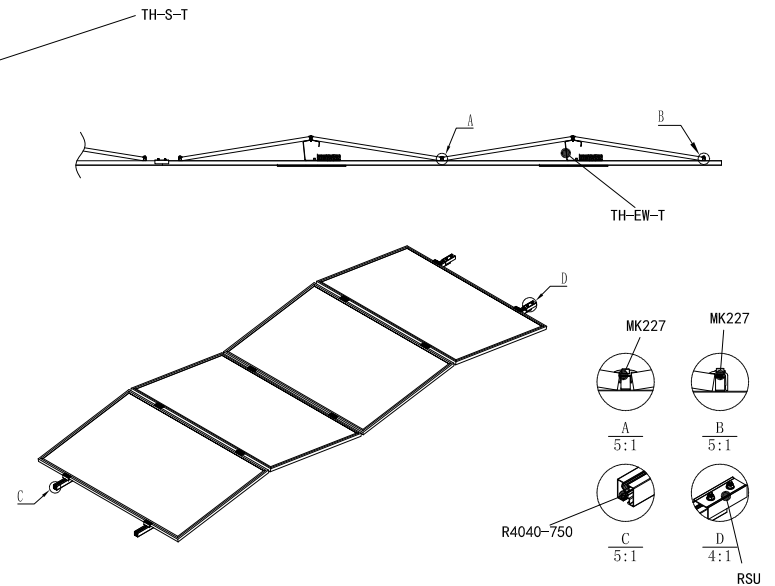
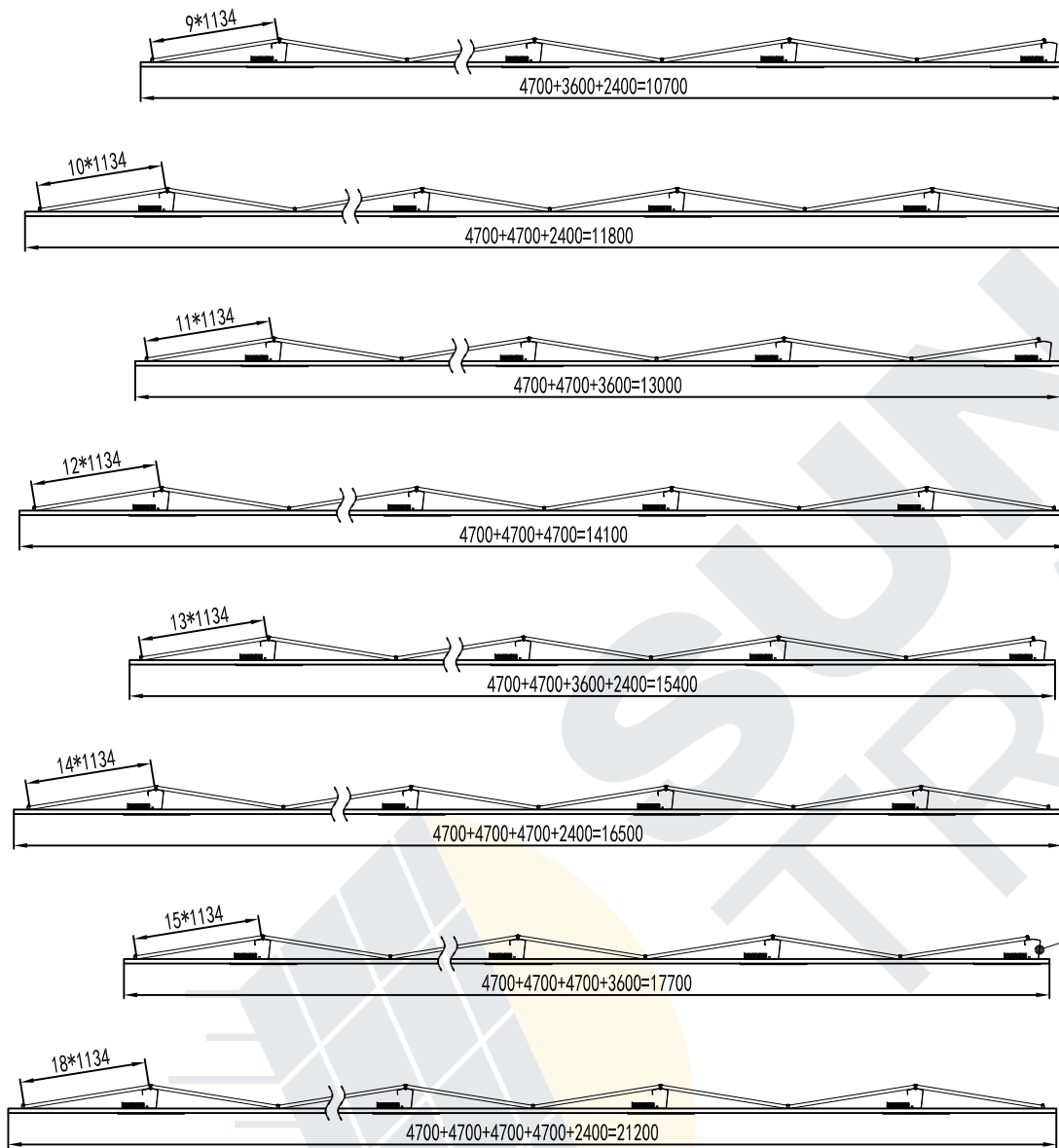
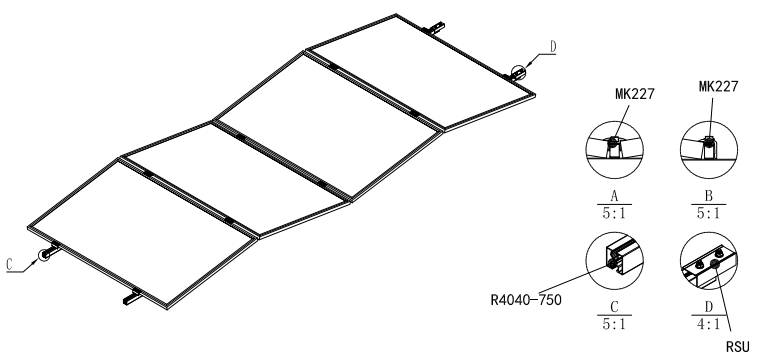
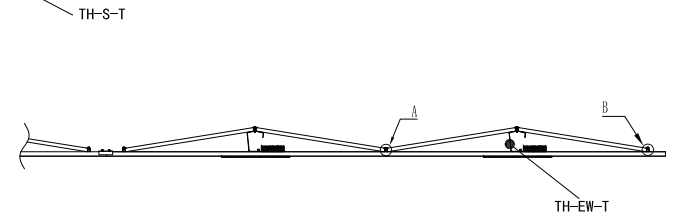
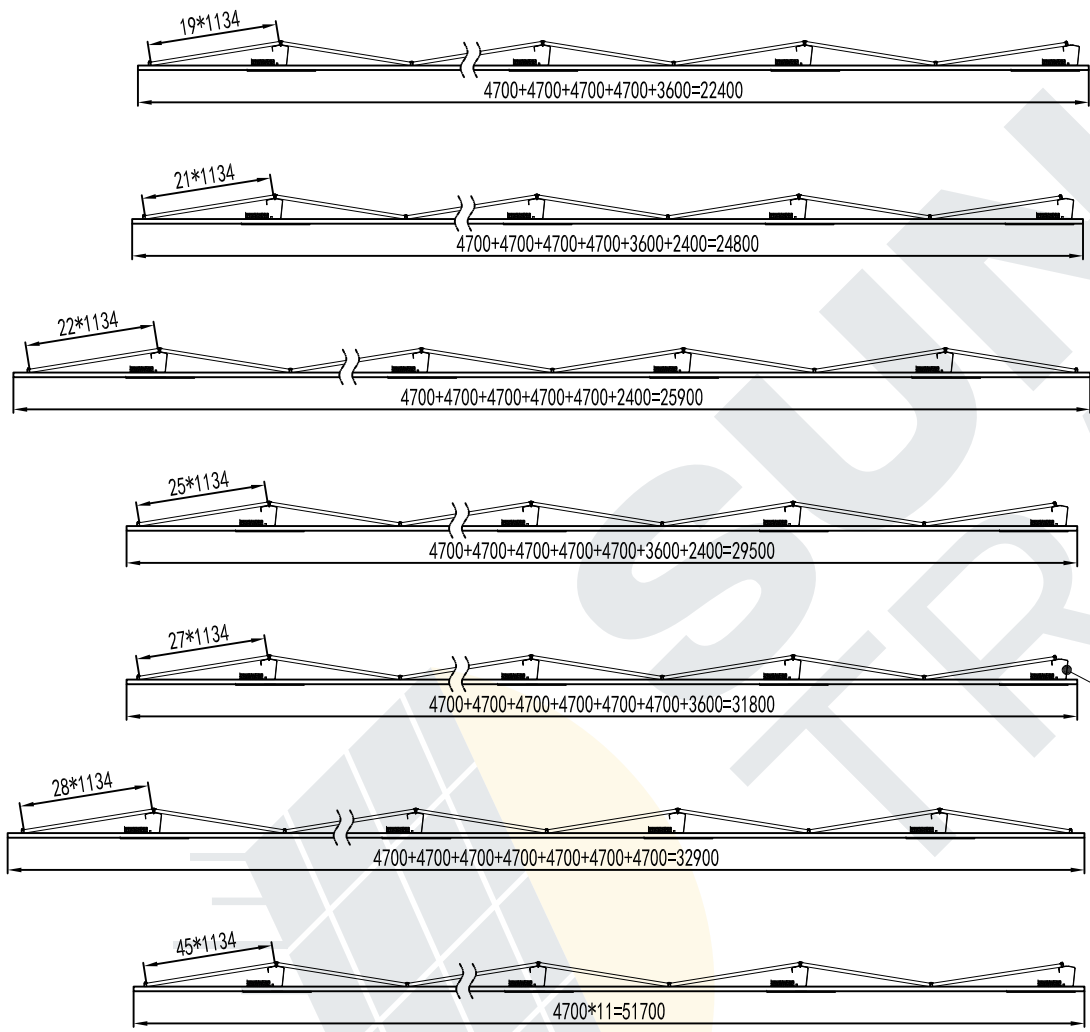


Project Name				Version	01
Project No.	OFF20220829-01			Date	2023. 02. 20
Module Dimension	1722*1134*30	Array	-	Unit	mm
Wind Load	28m/s	Angle	10°	Ratio	1:65
Snow Load	0. 7KN/m²	Drawn By	Eric. xie	View	



Project Name				Version	01
Project No.	OFF20220829-01			Date	2023.02.20
Module Dimension	1722*1134*30	Array	-	Unit	mm
Wind Load	28m/s	Angle	10°	Ratio	1:65
Snow Load	0.7KN/m²	Drawn By	Eric.xie	View	⊕ ⊞



Project Name				Version	01
Project No.	OFF20220829-01			Date	2023.02.20
Module Dimension	1722*1134*30	Array	-	Unit	mm
Wind Load	28m/s	Angle	10°	Ratio	1:65
Snow Load	0.7KN/m²	Drawn By	Eric.xie	View	⊕ ⊞