



# eFlex 836kWh Liquid-Cooled ESS

SU836U418KM

## Peak Performance

98.4 kWh/m<sup>3</sup> energy density,  $\geq$  94% efficiency, enabling scalable, cost-effective solutions.

## Neat Flexibility

Supports 6-8 unit parallel connections and reduced cluster options for versatile applications.

## Deep Safety

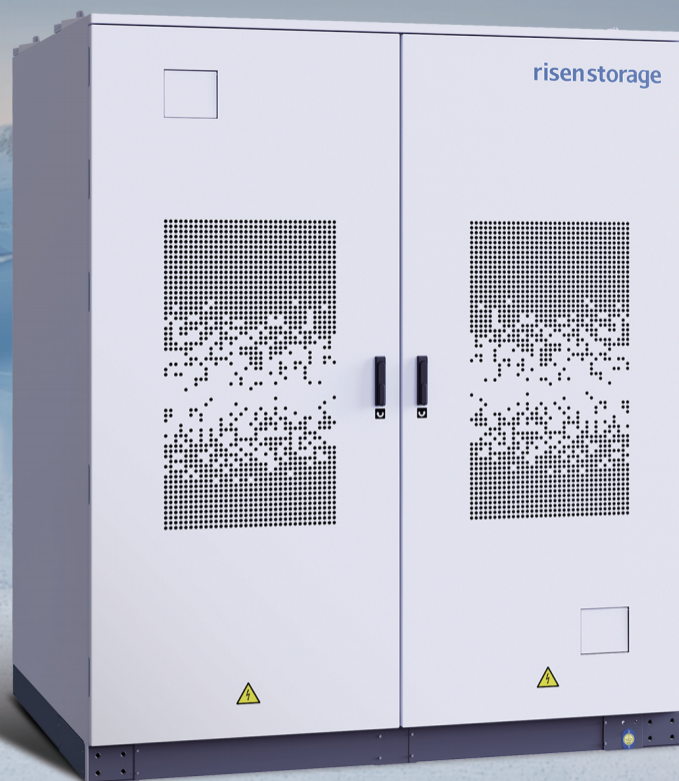
UL/IEC standard certified, Zone 4 seismic design, meeting global safety standards.

## Wide Resilience

-40°C to 55°C range, IP55 protection, C4-M corrosion resistance, and full performance up to 4000m.

## Smart Assistance

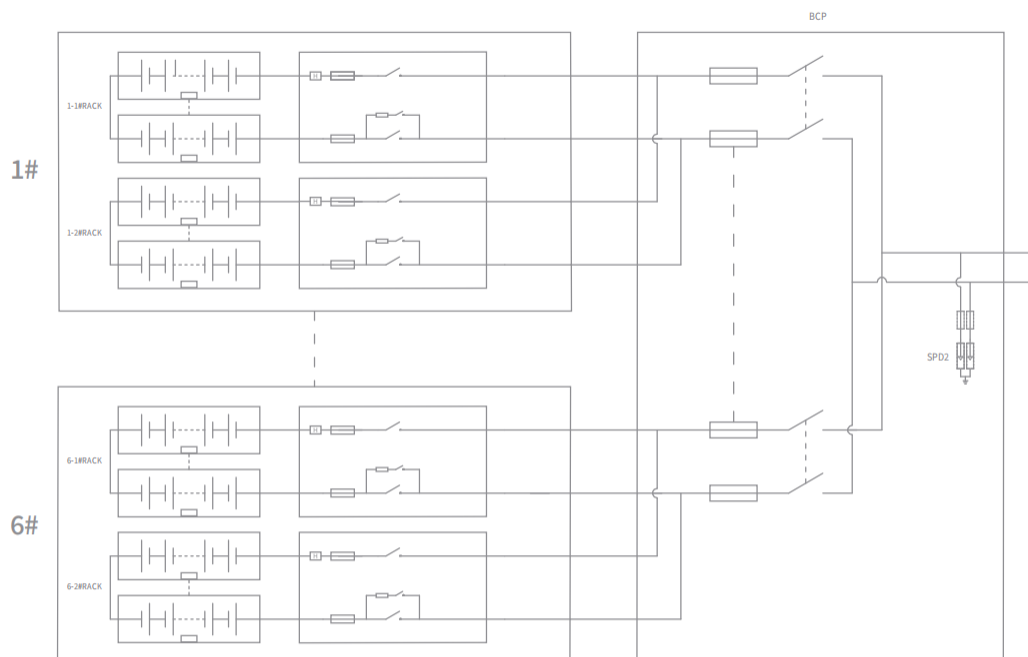
EMS interface, remote monitoring, and full-cycle maintenance for optimized efficiency.



# Technical Specification

<b>System Model</b>	<b>SU836U418KM</b>
<b>System Information</b>	
Nominal AC Power	418kW
Nameplate Capacity	836kWh
<b>Battery Information</b>	
Battery Chemistry	LFP
Battery Capacity	314Ah
Configuration	416S2P
Nominal Voltage	1331.2V
Voltage Range	1164.8~1497.6V
<b>Working Conditions</b>	
Degree of Protection	IP55
Noise Emission	≤72dB
Operating Temperature Range	-30°C~55°C
Relative Humidity	0~100%RH
Max. Working Altitude	≤4000m
<b>System Information</b>	
Dimensions(WxHxD)	2000x2470x1720mm
Weight	≤8t
Cooling Method	Intelligent Liquid Cooling
Aux. Power Supply	AC480V/3P4L 60Hz
Fire Suppression System	Dry pipe, Gas detection and Ventilation, Aerosol, Alarm System
Certificate	UL9540A, UL1973, UN38.3, UL9540(pending)

## Circuit Diagram



## Risen Storage